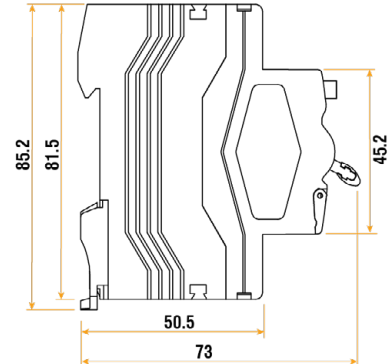
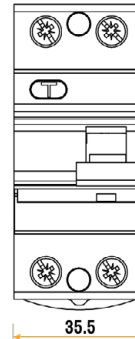


Product Code: CU2RCD63A

Description: 2 Pole 63A 30mA RCD



General Information

Overall Dimensions	35.5mm (W) x 85.2mm (H) x 73mm (D)	
Finish	Light Grey (RAL 7035)	
Rated Operational Voltage (U_a)	240V~ 50/60Hz	
Maximum Rated Current (I_n)	63A	
RCD Type	A	
Number Of Poles	2 (1+N)	
Impulse Withstand Voltage (U_{imp})	4000V	
Endurance Operations	Mechanical: 2000	Electrical: 1000
Residual Current Making & Breaking Capacity (I_m)	630A	
Tripping Current	30mA	
Residual Non-operating Current (I_{Δn})	0.5	
Trip Type	Electro-Magnetic Release	
Device Terminal Type	Screwed Lug & Pin	
Terminal Capacity	16mm ²	Maximum Torque: 2.5Nm
Operational Temperature	-25°C to +40°C	
Ingress Protection	IP20	
Warranty	3 Years	

Standards BS EN 61008-1