

**NATIONAL
VENTILATION**

Manufacturers & suppliers
of  **monsoon** products

Energysaver™ Positive Pressure System

Effective at managing condensation and mould



- Easy to mount base and hanging kit provided
- 5 year guarantee
- Helps to alleviate condensation and mould
- Low Maintenance
- Easy carry handle
- On unit control with LED display

Call now to find out more: 01823 690 290

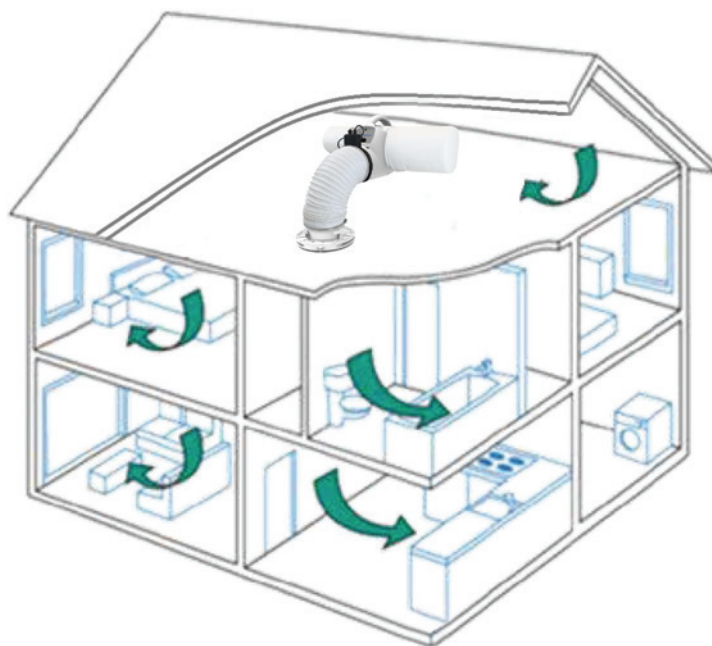
www.nationalventilation.co.uk Email: info@nvagroup.co.uk

What are Positive Pressure Systems?

The Monsoon Energysaver Positive Pressure System is designed for use in almost all property types with both loft and wall units available. For homes with loft spaces the PPS/LH is installed in the loft and the discreet diffuser is stalled in the hallway. Gently introducing tempered air into the house curing even stubborn mould and condensation issues.

Mould and Condensation Control

Positive Pressure Systems are tried and tested to increase circulation within the home removing the environments for mould growth. Within a few weeks of installing a positive pressure system you will notice the mould will have dried out and can be treated safe in the knowledge it will not return.



Why choose Energysaver Positive Pressure Systems?

By gently pressurising your home you alleviate many of the issues that cause poor indoor air quality. Poor indoor air quality can lead to condensation which in time will cause mould and damp problems within the home. Easily retrofitted the PPS/LH can be installed in under an hour and will work for the entire property. The neatly designed heater is fitted to the unit to temper the incoming air stopping cold draughts. The G4 Filters remove harmful particles such as pollen and dust which can cause allergies.

Running speeds are selected on the unit using the easy to read display. Speed selection is based on the number of rooms the property has from 1-5 bedrooms. The unit will then automatically adjust the flow rate accordingly. The PPS-LH also offers heat reclaiming speeds which increases incoming air when the loft temperature exceeds 18°C which means a saving on heating bills!

Call now to find out more: 01823 690 290

www.nationalventilation.co.uk Email: info@nvagroup.co.uk

Ease of Fit

The PPS/LH is designed to be fitted quickly saving time and money. The unit comes with both hanging kit and base mounting kit as standard. The easy carry handle allows the unit to be manoeuvred simply. The handle also allows for the unit to be angled when hung if space is at a minimum. Once the house side is selected the unit will use internal sensors to adjust airflow and heater activation.

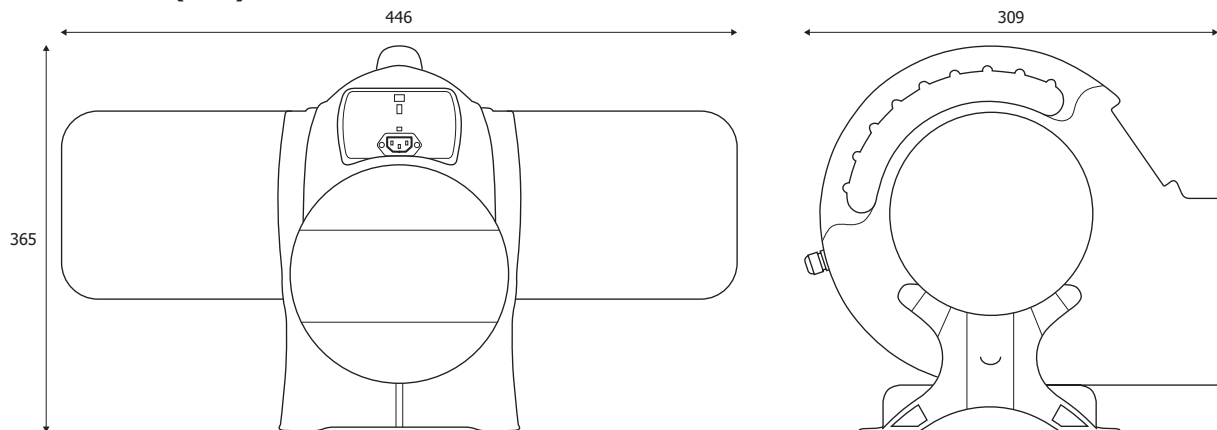
Product Information

230-240 V/AC. 50Hz single phase powering a low energy motor consuming down to 2.2W on trickle, and on max boost. These fans are double insulated and do not require an earth. All wiring must comply with current IEE regulations.

Performance Table

BEDROOM	TRICKLE (l/s)	POWER (W)	NORMAL (l/s)	POWER (W)
1	13	2.2	25	3.6
2	17	2.6	31	4.8
3	21	3.2	38	5.5
4	25	3.6	44	7.5
5	29	4.3	50	11.5

Dimensions (mm)



Call now to find out more: 01823 690 290

www.nationalventilation.co.uk Email: info@nvagroup.co.uk